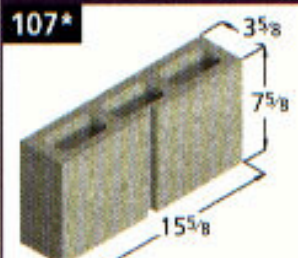
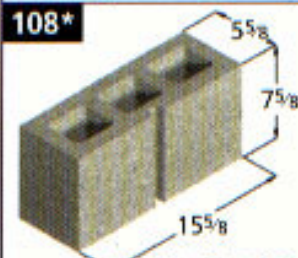


Architectural Masonry

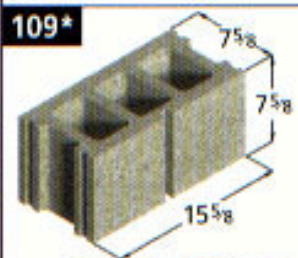
SCORED UNITS (false joint)



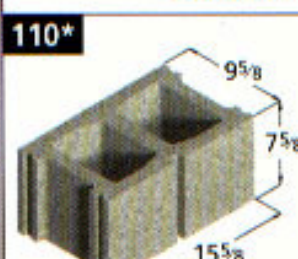
107* 4" x 8" x 16" Scored (102 x 203 x 406)



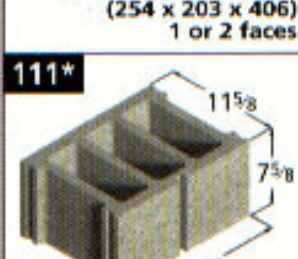
108* 6" x 8" x 16" Scored (152 x 203 x 406) 1 or 2 faces



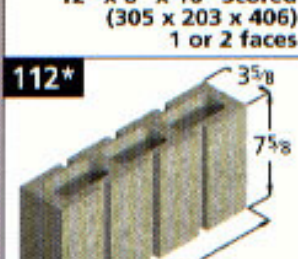
109* 8" x 8" x 16" Scored (203 x 203 x 406) 1 or 2 faces



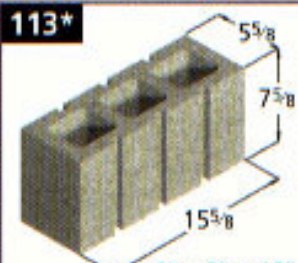
110* 10" x 8" x 16" Scored (254 x 203 x 406) 1 or 2 faces



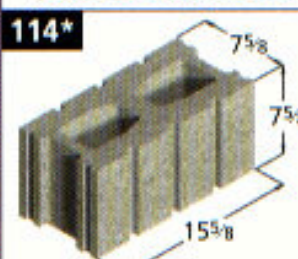
111* 12" x 8" x 16" Scored (305 x 203 x 406) 1 or 2 faces



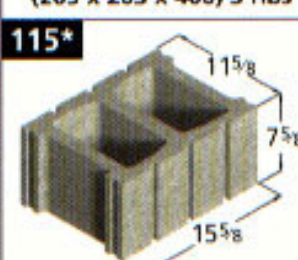
112* 4" x 8" x 16" Scored (102 x 203 x 406) 3 ribs



113* 6" x 8" x 16" Scored (152 x 203 x 406) 3 ribs

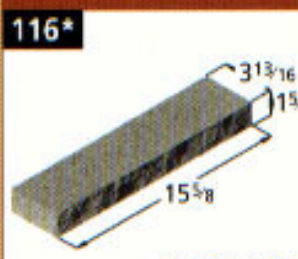


114* 8" x 8" x 16" Scored (203 x 203 x 406) 3 ribs

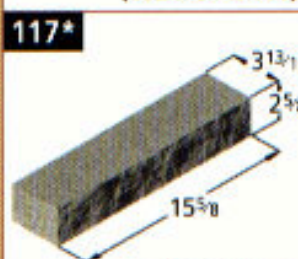


115* 12" x 8" x 16" Scored (305 x 203 x 406) 3 ribs

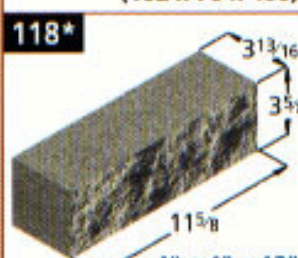
SPLIT FACE UNITS



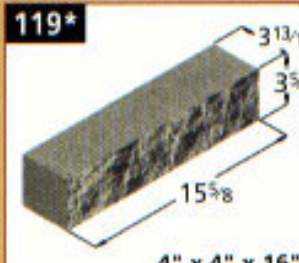
116* 4" x 2" x 16" Solid Split Face (102 x 51 x 406)



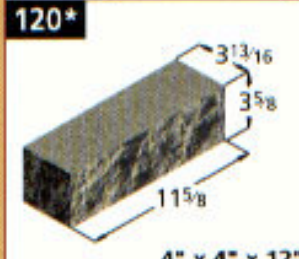
117* 4" x 3" x 16" Solid Split Face (102 x 76 x 406)



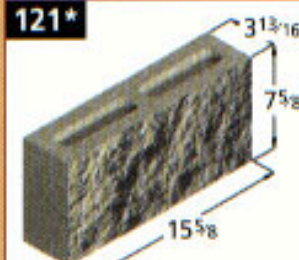
118* 4" x 4" x 12" Solid Split Face (102 x 102 x 305)



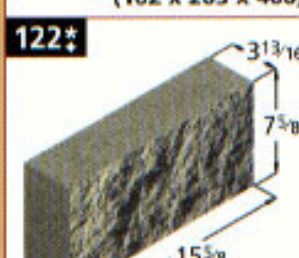
119* 4" x 4" x 16" Solid Split Face (102 x 102 x 406)



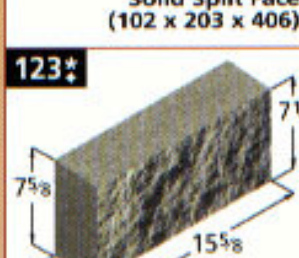
120* 4" x 4" x 12" Solid Split Face Corner (102 x 102 x 305)



121* 4" x 8" x 16" Cored Split Face (102 x 203 x 406)



122* 4" x 8" x 16" Solid Split Face (102 x 203 x 406)



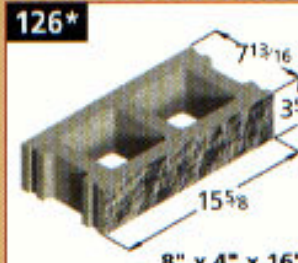
123* 4" x 8" x 16" Solid 3/8" Slope Sill Split Face (102 x 203 x 406)



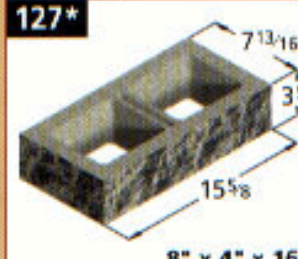
124* 4" x 8" x 12" Solid Split Face Corner (102 x 203 x 305)



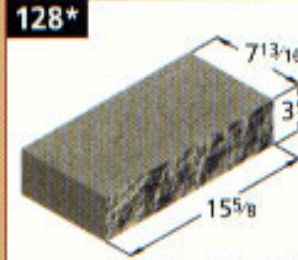
125* 6" x 8" x 16" Solid Split Face (152 x 203 x 406)



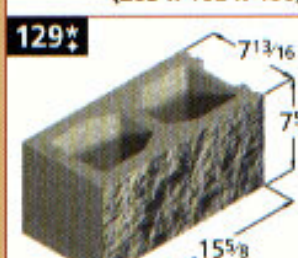
126* 8" x 4" x 16" Cored Split Face (203 x 102 x 406)



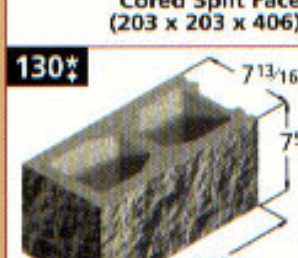
127* 8" x 4" x 16" Cored Split Face Corner (203 x 102 x 406)



128* 8" x 4" x 16" Solid Split Face Cap (203 x 102 x 406)



129* 8" x 8" x 16" Cored Split Face (203 x 203 x 406)



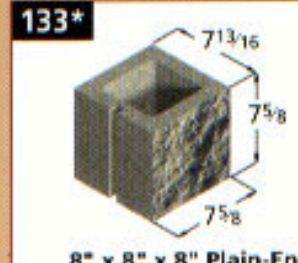
130* 8" x 8" x 16" Cored Split Face Corner (203 x 203 x 406)



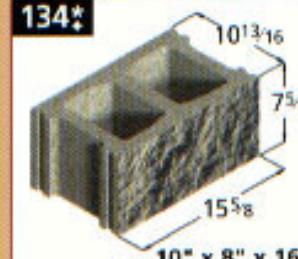
131* 8" x 8" x 16" Solid Split Face Cap (203 x 203 x 406)



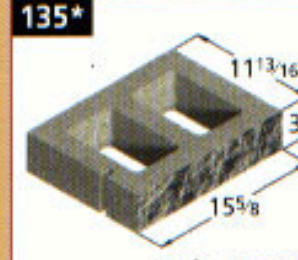
132* 8" x 8" x 16" Open Bottom Bond Beam Split Face (203 x 203 x 406)



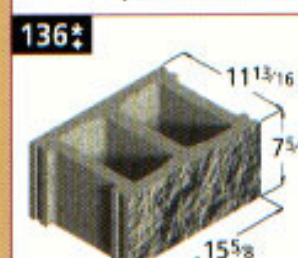
133* 8" x 8" x 8" Plain-End Sash-End Split Face (203 x 203 x 203)



134* 10" x 8" x 16" Cored Split Face (254 x 203 x 406)



135* 12" x 4" x 16" Cored Split Face (305 x 102 x 406)



136* 12" x 8" x 16" Cored Split Face (305 x 203 x 406)



137* 12" x 8" x 16" Plain-End Sash-End Split Face (305 x 203 x 406)



138* 12" x 8" x 8" Plain-End Sash-End Split Face (305 x 203 x 203)



139* 12" x 8" x 16" Open Bottom Bond Beam Split Face (305 x 203 x 406)

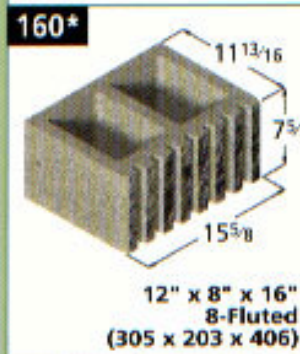
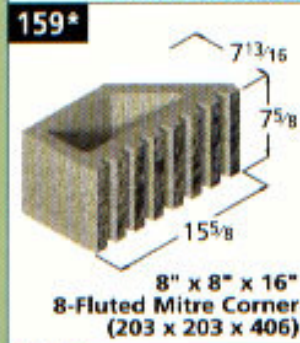
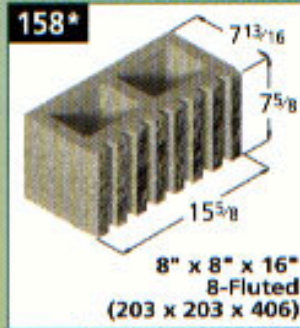
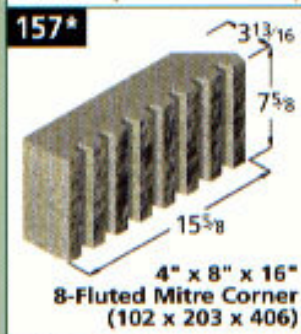
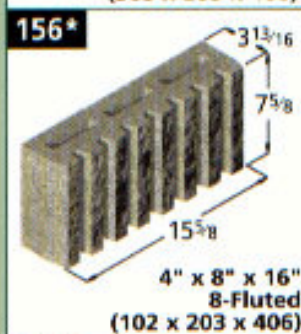
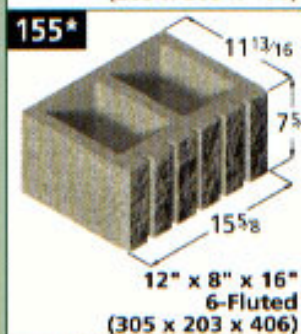
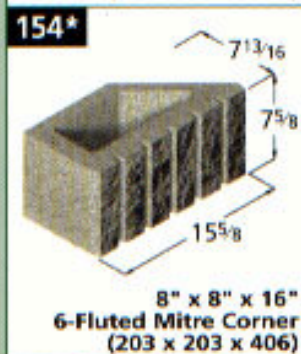
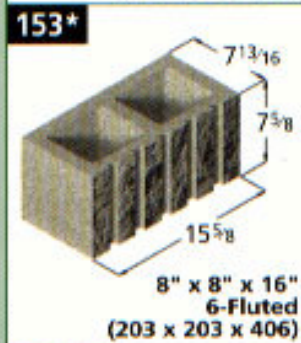
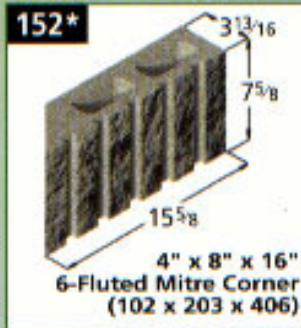
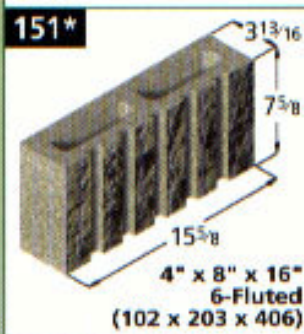
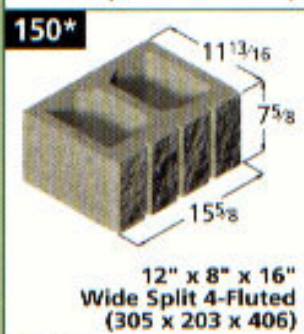
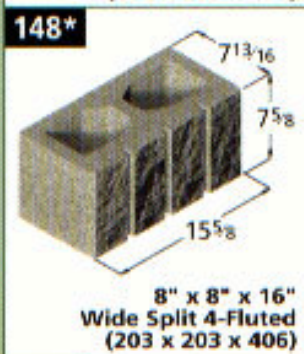
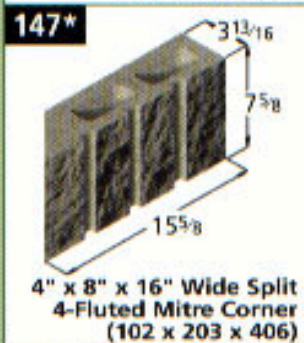
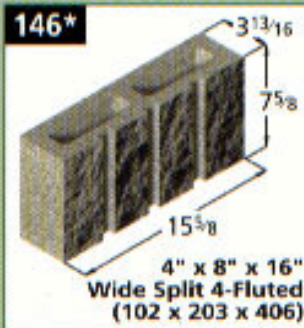
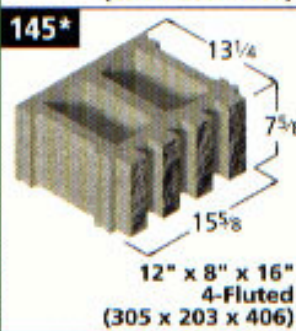
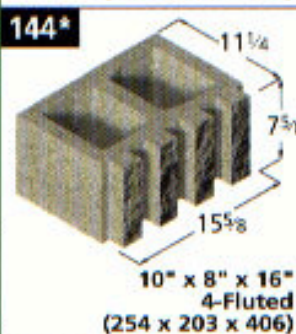
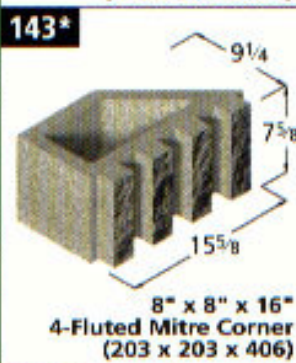
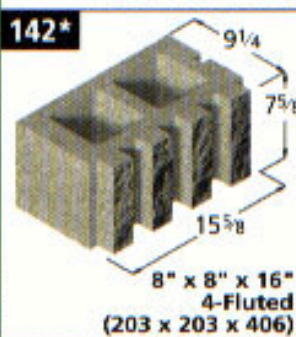
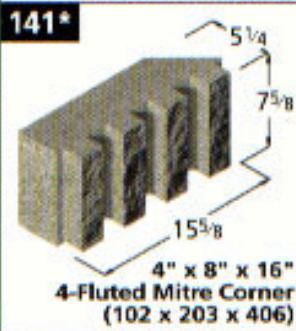
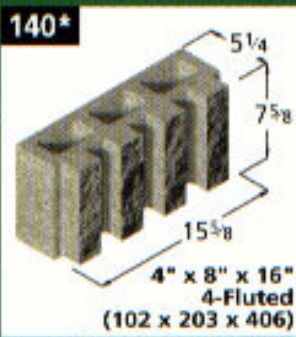
* Denotes Non-Stock Item. Please call for availability.

† Denotes units available with verticle scores.

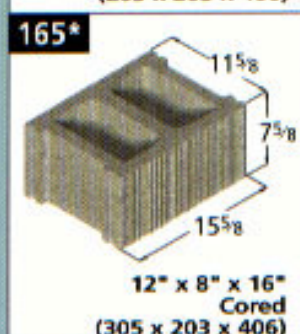
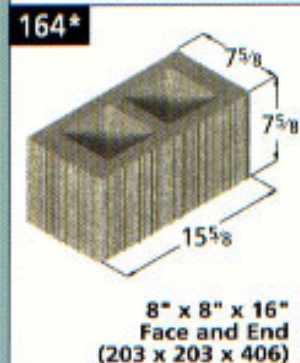
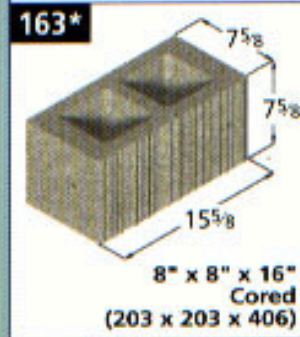
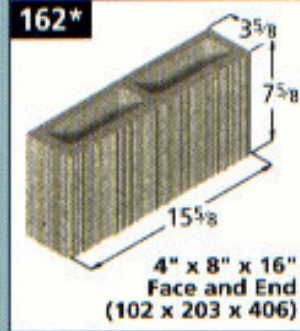
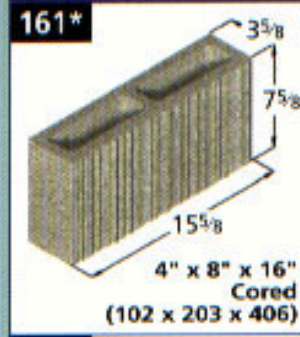
More Architectural Masonry on Back ➔

Architectural Masonry

FLUTED SPLIT FACE UNITS



STRI-FACE UNITS



* Denotes Non-Stock Item.
Please call for availability.

† Denotes units available with verticle scores.

Note: Information contained in this report was derived through methods of calculating the physical characteristics of concrete masonry. Long term variations with our manufacturing process may result in this data being slightly different than the actual units themselves.